

298 Pinecrest Drive
Athens, Georgia 30605
October 4, 1987

SCOTT

Dear Dr. Peeples,

Thanks so very much for your kind and generous letter. Had no idea I would receive a letter from "the Robert E. H. Peeples who wrote the very informative and interesting article "Old Hilton Head Island Names" for the S.C. Historical Magazine. I xeroxed almost the entire article for our Scott genealogy records.

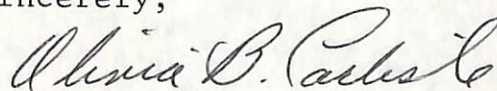
Yes, I would feel honored in becoming a member of the Society of First Families of S.C. I'm enclosing \$50. check for Life Membership of the Hilton Head Island Historical Society. Also, enclosed are copies of my family charts. We are very pleased to know that the old Zion Cemetery is being preserved and cared for. We hope to be able to plan a trip there in late October or November.

The enclosed charts will explain the various family connections. Since I hope to produce a book on these family lines, I'm hoping to be able to find out where the first Joseph Scott came from. Then I would also like to have more information regarding the Benjamin Reynolds family. With this in mind, I had planned a trip to Columbia with friends. You might be able to provide suggestions for this problem.

I'm now serving as librarian for the Elijah Clarke Chapter of the D.A.R. I went in on the Bloomfield line from New Jersey. Have almost completed supplemental lines for the Bancroft, Scott and Rodgers. All these families tell a wonderful and interesting story which must be written - it's very gratifying to be a descendant of so many fine people.

Again, many thanks for your assistance concerning the location of the Zion Cemetery. Hoping to visit there soon.

Sincerely,



Olivia B. Carlisle

Ancestry of _____
 Address _____
 Date _____

Robert Bloomfield
 16 B 8-19-1749 D 7-16-1805
 M R
 Margaret
 17 B 10-13-1751 D 7-25-1809
 M R
 18 B M D R
 19 B M D R

Richard Bloomfield
 8 B 1-25-1790 D 12-3-1866
 M R
 Anna Edgar
 9 B M D 1866
 M R

Robert Lee Bloomfield
 4 B 12-25-1827 D 1-16-1916
 M 9-17-1851 R Athens, GA

Robert Kearney Bloomfield
 2 Father
 B 1-9-1854 D 2-22-1882
 M 10-5-1875 R Athens, GA

Dr. John Richardson Bayard Rodgers
 20 B 12-28-1757 D 1833
 M 7-5-1790 R New York, NY
 Susanna Ravaud Kearney
 21 B 5-19-1771 D 4-3-1828
 M 7-5-1790 R New York, NY

Ravaud Kearney Rodgers
 10 B 11-3-1796 D 1-12-1879
 M 10-10-1821 R Bound Brook, NJ
 Caroline Williams Thomas
 11 B 10-20-1797 D 10-23-1880
 M 10-10-1821 R Bound Brook, NJ

Ann Warren Rodgers
 5 B 4-20-1829 D 12-4-1896
 M 9-17-1851 R Athens, GA

John Thomas
 22 B 5-9-1769 D 9-11-1844
 M 1794 R Sandy Hill, NY
 Sarah Smith
 23 B 4-19-1775 D 11-24-1837
 M 1794 R Sandy Hill, NY

ANCESTORS OF

Robert Edward Bloomfield

1 Name
 B 4-21-1879 D 12-11-35
 M 9-30-1914 R Jacksonville, Fla.

Lt. John Bancroft
 24 B 1-28-1771 D 5-2-1813
 M 9-24-1793 R Groton, Mass.
 Lucy Davis
 25 B 3-25-1773 D 6-27-1846
 M 9-24-1793 R Baltimore, MD

Edward Bancroft Sr.
 6 B 2- -1831 D 10-9-1903
 M 1-14-1852 R Athens, GA

12 B 1801 D 6-6-1891
 M 6-26-1828 R Charleston, SC
 Matilda Rebecca Jeannerette
 13 B 12-2-1804 D 2-10-1882
 M 6-26-1828 R Charleston, SC

Christopher Jeannerette
 26 B 7-30-1770 D 2-6-1849
 M 1800 R Charleston, SC
 Elizabeth K. Steedman
 27 B 12-2-1773 D 5-20-1844
 M 1800 R Charleston, SC

3 Cornelia Olivia Bancroft
 Mother
 B 11-14-1854 D 5-3-1930
 M 10-5-1875 R Athens, GA

14 Benjamin Franklin Scott
 B 2-14-1797 D 3-10-1861
 M 1-5-1826 R St. Lukes Parrish, SC
 Had a rice plantation on Daniels Island - "Oak Forest"

Joseph Scott III
 28 B M D R
 Catherine Belams
 Eleanor Ireland
 B M D R

7 Martha Ann Scott
 B 5-31-1832 D 8-23-1917
 M 1-14-1852 R St. Lukes Parrish, SC
 Athens, GA

15 Cornelia Theresa Reynolds
 B 9- 1809 D 9-12-1851
 M 1-5-1826 R St. Lukes Parrish, SC

30 B M D R
 B M D R

B=Born
 M=Married
 D=Died R=Resided

Ancestry of _____

Address _____

Date 4-1-1985

4 Joseph James Scott III
B 12-15-1754 D 5-26-1804
M 8-1774 R

2 Benjamin Franklin Scott
Father
B 2-14-1797 D 3-10-1861
M 1-5-1826 R Charleston

5 Catherine Adams
B 12-23-1761 D 12-30-1799
M 1-5-1826 R

ANCESTORS OF

1 Martha Ann Scott
Name
B 5-3-1832 D 8-23-1917
M 1-14-1852 R Charleston
Athens

6 Benjamin Reynolds
B D
M R

3 Cornelia Theresa Reynolds
Mother
B 1809 D 9-12-1851
M 1-5-1825 R Charleston

7 B D
M R

8 Joseph James Scott II
B D
M R St. Helena
Island &
Hilton Head

9 Sarah Pope
B D
M R

10 Joseph Adams
B D
M R St. Helena
Island

11 Hannah
B D
M R St. Helena
Island

12 B D
M R

13 B D
M R

14 B D
M R

15 B D
M R

16 Joseph James Scott I
B D 1749
M R St. Helena
Island

17 Eleanor Ireland
B D
M R

18 B D
M R

19 B D
M R

20 B D
M R

21 B D
M R

22 B D
M R

23 B D
M R

24 B D
M R

25 B D
M R

26 B D
M R

27 B D
M R

28 B D
M R

29 B D
M R

30 B D
M R

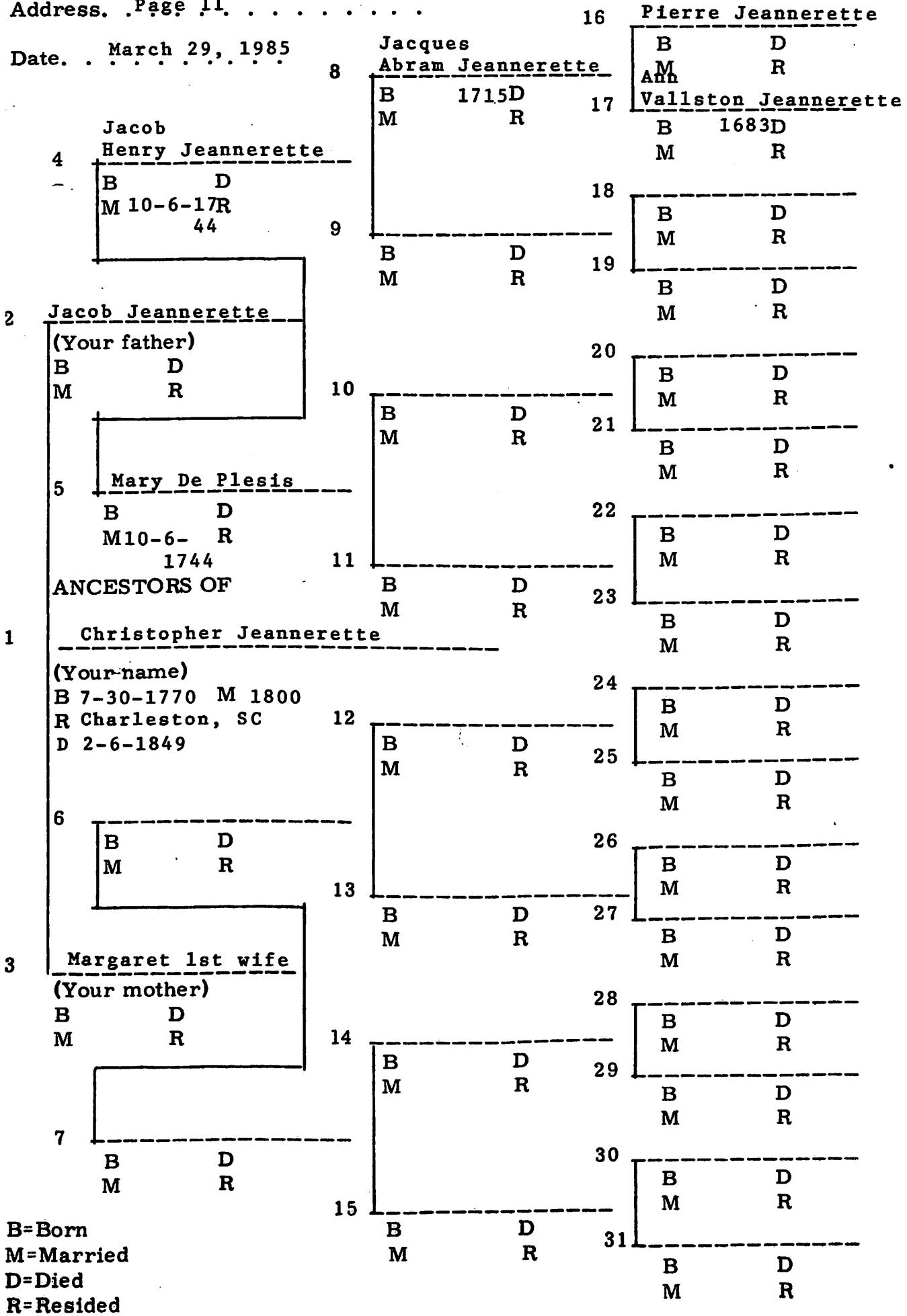
31 B D
M R

B=Born
M=Married
D=Died R=Resided

Ancestry of . Rebecca M. Steedman .

Address . Page II

Date . . March 29, 1985



B=Born
M=Married
D=Died
R=Resided

FAMILY _____
HUSBAND'S NAME.... Joseph James Scott I.....
Residence.... Island of St. Helena.....
Birthdate..... Where.....
Marriage date..... Where.....
Married times. LIST OTHER WIVES ON SEPARATE PAGE.
Death date... March 2, 1749 Buried.....
His father's name.....
Mother's maiden name.....

GENERATION _____
WIFE'S MAIDEN NAME... Eleanor Ireland.....
Residence... Island of St. Helena.....
Birthdate..... Where.....
Other marriages. LIST OTHER HUSBANDS ON SEPARATE PAGE.
Other husbands' names.....
Death date..... Buried.....
Her father's name.. George Ireland.....
Mother's maiden name.....

CHILDREN	When BORN	Where BORN	When MARRIED	Where MARRIED	When DIED	Where DIED	MARRIED TO:	Chart
1 Joseph James		St. Helena Island					Sarah Pope	
2 Richard								
3 Benjamin							Reynolds (dau. of William Reynolds of St. Helena Island	
4 David							Reynolds (dau. of William Reynolds of St. Helena Island	
5 Eleanor			12	1044			Thomas Conyers	
6 Sarah								
7 William	1	1731						
8 Elizabeth		1734						
9 John	4	1736						
10 George	2	1737						

COMMENTS: Catherine 10-10-1740

The above information was taken from the will of Joseph Scott. Recorded in Will Book 1747-52. Pg. 250
 will written September 11, 1748. This will was Proved before his Excellency the Govr. the 2nd day of
 March, 1749. Charleston County Wills Vol. 6.

(over)

FAMILY -----
 HUSBAND'S NAME... Joseph James Scott II
 Residence... St. Helena Island
 Birthdate..... Where.....
 Marriage date..... Where.....
 Married times. LIST OTHER WIVES ON SEPARATE PAGE.
 Death date..... Buried.....
 His father's name... Joseph James Scott I
 Mother's maiden name... Eleanor Ireland

GENERATION -----
 WIFE'S MAIDEN NAME... Sarah Pope
 Residence.....
 Birthdate..... Where.....
 Other marriages. LIST OTHER HUSBANDS ON SEPARATE PAGE.
 Other husbands' names.....
 Death date..... Buried.....
 Her father's name.....
 Mother's maiden name.....

CHILDREN	When BORN	Where	When MARRIED	Where	When DIED	Where	MARRIED TO:	Chart
1 Catherine	10 23 48	17/ St. Helena Island, SC						
2 George	10 15 51	17/						
3 Joseph III	10 15 54	17/						
4 William	6 28 57	17/						
5 James	6 10 59	17/ Date Baptized St. Helena I.						
6 Eleanor Ireland	6 23 68	17/						
7								
8								
9								
10								
11								
12								

COMMENTS:

FAMILY
 HUSBAND'S NAME.. Joseph James Scott III
 Residence... St. Helena Island, SC
 Birthdate... 12-15-1754... Where... St. Helena Island
 Marriage date... 8-1774... Where.....
 Married times. LIST OTHER WIVES ON SEPARATE PAGE.
 Death date... 5-26-1804..... Buried, St. Helena Island on.....
 "Scott's Hump" Plantation
 His father's name.. Joseph James Scott II
 Mother's maiden name... Sarah Pope

GENERATION
 WIFE'S MAIDEN NAME.. Catherine Adams
 Residence... St. Helena Island, SC... parish of St. John's
 Birthdate... 12-23, 1761..... Where, parish of St. John's
 Colleton
 Other marriages. LIST OTHER HUSBANDS ON SEPARATE PAGE.
 Other husbands' names... None
 Death date... 12-30-1799..... Buried, St. Helena Island, SC..
 Her father's name.. Joseph Adams
 Mother's maiden name... Hannah Adams

CHILDREN	When BORN Where			When MARRIED Where			When DIED Where			MARRIED TO:	Chart
	11	1	17								
1 Sarah Scott	11	1	17/75								
2 Hannah Scott	7	3	17/77	1	17	17/93				Isaac Rippon Jenkins	
3 Sarah Scott	4	4	17/99	1	25	17/98				William Pope Sr.	
4 Joseph Adams Scott	7	26	17/81	9	27	18/06				Mary Catherine McNish	
5 William Scott	10	24	17/83								
6 Catherine Hawkins Scott	1	10	17/87	2	22	18/06				John Daniel Lewis	
7 Ann Scott	5	2	17/89	10	1	18/06				William Pope Jr.	
8 Martha Scott	1	31	17/92								
9 John Scott	7	28	17/91	9	16	18/23				Sarah Ann Chaplin	
10 Benjamin Franklin Scott	2	14	17/97	1	5	18/25				Cornelia Teressa Reynolds	
11 William Scott	10	16	17/99								
12											

COMMENTS: All of the above information and dates came from the Bible of Joseph James Scott and Catherine Adams Scott which were transcribed in July 1936 by Miss Mabel Webber, secretary of the South Carolina Historical Society. All of the above is from the article "Records and Notes of the Scott Family of St. Helena Island" in the SOUTH CAROLINA HISTORICAL MAGAZINE, Vol. 66, 1965, written by David McCord Wright.

FAMILY -----

HUSBAND'S NAME.. Benjamin Franklin Scott.....
 Residence... St. Lukes Parrish, Beaufort, SC and Daniel's...
 Birthdate.. 2-14-1797..... Where.. Charleston, SC.....
 Marriage date.. 1-5-1826.. Where.. Charleston, SC.....
 Married times. LIST OTHER WIVES ON SEPARATE PAGE.
 Death date... 3-10-1861..... Buried.. Magnolia Cemetery.....
 His father's name... Joseph James Scott III.....
 Mother's maiden name... Catherine Adams.....

GENERATION -----

WIFE'S MAIDEN NAME.. Cornelia Theresa Reynolds.....
 Residence.. Charleston, SC.....
 Birthdate..... 1809... Where.....
 Other marriages. LIST OTHER HUSBANDS ON SEPARATE PAGE.
 Other husbands' names..... None.....
 Death date.. 9-12-1851..... Buried.. Magnolia Cemetery.....
 Her father's name.. Benjamin Reynolds.....
 Mother's maiden name.....

CHILDREN	When BORN Where			When MARRIED Where			When DIED Where			MARRIED TO:	Chart
	Mo	Da	Yr	Mo	Da	Yr	Mo	Da	Yr		
1 Julia Elminna	10	7	18/26				1	21	18/28		
2 Joseph James	7	7	18/28				5	10	18/52		
3 Theresa Ann	12	14	18/29				5	2	18/30		
4 Emily Reynolds	5	17	18/31				9	10	18/32		
5 Martha Ann	5	31	18/32	1	14	18/52	8	23	18/17	Athens, GA	Edward Bancroft
6 Cornelia Olivia	9	27	18/33				9	10	18/51	Charleston, SC	
7 Katherine Adams	4	1	18/35								
8 Maxmilian Overton	5	7	18/38				5	12	18/66	Confederate soldier	
9 Irene Matilda	1	1	18/40				6	26	18/06		
10 John Franklin	5	9	18/41				9		18/61		
11 Adela Evelyn	7	20	18/43				4	29	18/25		Sister Scholastica
12 Evan Walter	9	13	18/45								

COMMENTS:

FAMILY _____
 HUSBAND'S NAME... Edward Bancroft (9) _____
 Residence... Charleston and Athens _____
 Birthdate... 1831 Where... Charleston, SC _____
 Marriage date... 1852 Where... _____
 Married ..1... times. LIST OTHER WIVES ON SEPARATE PAGE.
 Death date... 1903 Buried... _____
 His father's name... James Bancroft _____
 Mother's maiden name... Matilda Rebecca Jeannerette _____

GENERATION __ (9) _____
 WIFE'S MAIDEN NAME... Martha Ann Scott _____
 Residence... Charleston and Athens _____
 Birthdate... 1832... Where... Charleston, SC _____
 Other marriages. LIST OTHER HUSBANDS ON SEPARATE PAGE.
 Other husbands' names... None _____
 Death date... 1917... Buried... _____
 Her father's name... Benjamin Franklin Scott _____
 Mother's maiden name... Cornelia Theresa Reynolds _____

CHILDREN	When BORN	Where	When MARRIED	Where	When DIED	Where	MARRIED TO:	Chart
Edward	12	18/52	Charleston				Lucy Eppes	
Cornelia Olivia	11	18/54	Charleston			19/30	R. K. Bloomfield	
Matilda Rebecca	2	17/57	Charleston	11	17/81	Charleston	3 23/43 Atlanta	Arthur H. Steedman
Emily	6	26/59	Charleston			Not married	19/52	
Catherine			Athens				18/65	
Joseph			Athens				18/65	
Martha Ann		18/64	Athens			Not married	9 7/29	
Irene Ada	6	28/68	Athens			Athens	3 19/42 Athens	William Eston Eppes
Percival Matthew						Greensboro, NC		Ida Grissom

COMMENTS:

FAMILY _____
 HUSBAND'S NAME. **Robert Kearney Bloomfield**
 Residence. **Athens, Georgia**
 Birthdate. **1-9-1854** Where. **Athens, Georgia**
 Marriage date. **12-5-1875** Where. **Athens, Georgia**
 Married **1** times. LIST OTHER WIVES ON SEPARATE PAGE.
 Death date. **2-22-1882** Buried. **Athens, GA - Oconee Hill**
 His father's name. **Robert Lee Bloomfield**
 Mother's maiden name. **Ann Warren Rodgers**

GENERATION _____
 WIFE'S MAIDEN NAME. **Cornelia Olivia Bancroft**
 Residence. **Athens, Georgia**
 Birthdate. **11-14-1854** Where. **Charleston, S.C.**
 Other marriages. LIST OTHER HUSBANDS ON SEPARATE PAGE.
 Other husbands' names. **None**
 Death date. **5-3-1930** Buried. **Athens, GA - Oconee Hill**
 Her father's name. **Edward Bancroft**
 Mother's maiden name. **Martha Ann Scott**

CHILDREN	When BORN Where			When MARRIED Where			When DIED Where			MARRIED TO:	Chart			
	Year	Month	Day	Year	Month	Day	Year	Month	Day					
1 Cornelia Olivia	11	22	1876	Athens, GA	4	29	1896	Athens, GA	9	18	1957	Athens, GA	John E. Talmadge Jr.	
2 Matilda Marion	4	8	1878	Athens, GA					4	26	1961	Athens, GA		
3 Robert Edward	4	21	1879	Athens, GA	9	30	1914	Fort Pierce, Fla	12	11	1935	Athens, GA	Lois Agnes Klopp	
4														
5														
6														
7														
8														
9														
10														
11														

COMMENTS: The dates and information on this page came from the family Bible belonging to Robert Kearney Bloomfield and now in possession of Olivia B. Carlisle.

FAMILY Robert Edward Bloomfield

HUSBAND'S NAME... Robert Edward Bloomfield
 Residence... Jacksonville, Florida and Athens, Georgia
 Birthdate... April 21, 1879 Where... Athens, Georgia
 Marriage date... 9-30-1914 Where... Fort Pierce, Florida
 Married... One times. LIST OTHER WIVES ON SEPARATE PAGE.
 Death date... 12-11-1935 Buried... Athens, Georgia
 His father's name... Robert Kearney Bloomfield
 Mother's maiden name... Cornelia Olivia Bancroft

GENERATION _____

WIFE'S MAIDEN NAME... Lois Agnes Klopp
 Residence... Jacksonville, Fla. and Athens, Georgia
 Birthdate... July 7, 1894 Where... Fort Pierce, Fla.
 Other marriages. LIST OTHER HUSBANDS ON SEPARATE PAGE.
 Other husbands' names.....
 Death date... March 20, 1955 Buried... Athens, Georgia
 Her father's name... Henry I. Klopp
 Mother's maiden name... Ida Stark

CHILDREN	When BORN Where			When MARRIED Where			When DIED Where			MARRIED TO:	Chart
	When	When	Where	When	When	Where	When	When	Where		
1 Robert Edward	10	15	1916 Athens, GA	5	18	1945 Vancouver, B.C.				Mildred Mary Adams	
2 Cornelia Olivia	1	24	1918 Bagdad, Fla.	6	30	1937 Anderson, S.C.				Joseph Allen Carlisle	
3 Lois Elizabeth	10	19	1919 Bagdad, Fla.	4	7	1942 Athens, GA	4	1	1975 Augusta, GA	Henry William Harbin	
4											
5											
6											
7											
8											
9											
10											
11											
12											

COMMENTS: